

GB530

SPECIAL MARINE



(1) Natural frequency:
5 Hz

DESCRIPTION

The GB530 comprises of one part in elastomer bonded to a base plate and a tapped steel core (a non magnetic version is also available).

Advantages :

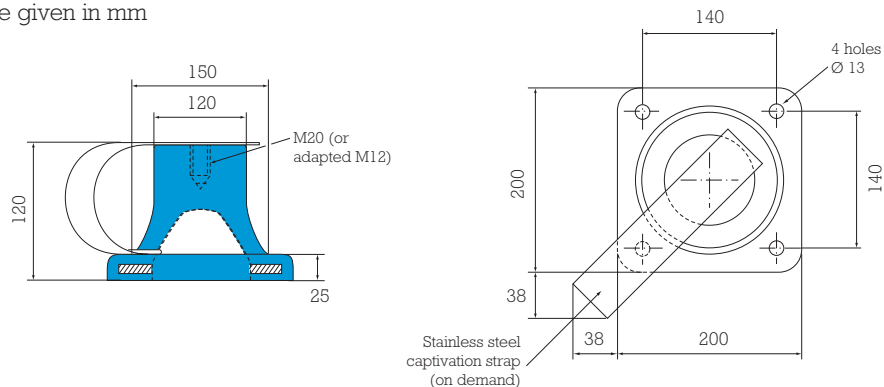
- Can provide high deflection under shocks.
- Long life.
- Low natural frequency (5 Hz in axial).
- Low amplification at resonance.

APPLICATIONS

These are specific mounts created for the naval industry: on board electronics, radars, special weapons equipment.

DIMENSIONS CHARACTERISTICS

Dimensions are given in mm



OPERATING CHARACTERISTICS

Paulstra reference	Barry Controls reference *	Load range daN
530901 21 00	GB530-NR1	7.5 - 75
530901 21 10	GB530-NR2	15 - 150
530901 21 20	GB530-NR3	25 - 250
530901 21 30	GB530-NR4	40 - 400
530901 21 40	GB530-NR5	60 - 600

Temperature range: - 30°C to + 70°C.
Weight: 3 - 4 kg.

(1) Natural frequencies with max/min loads, see : OPERATING CHARACTERISTICS.

* Barry Controls references are given as an indication.

1 kg \approx 1 daN

